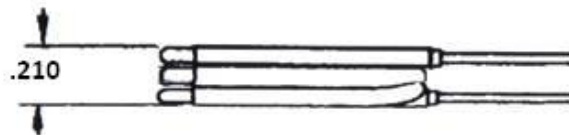
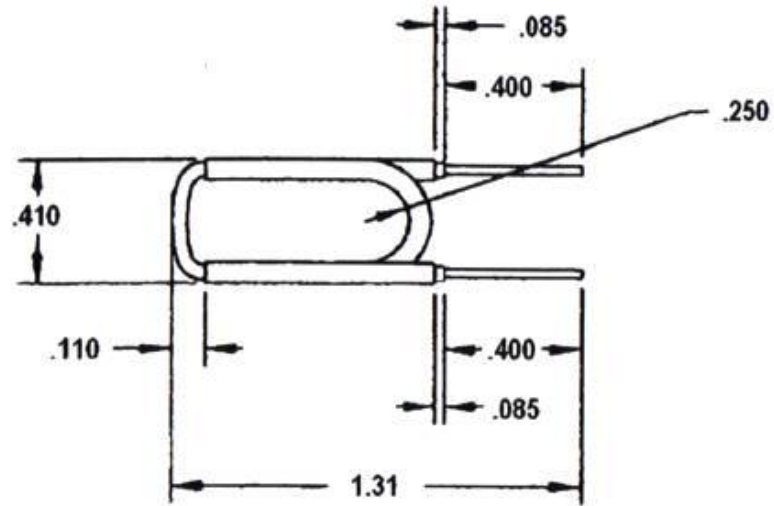


# TUI-9



**Micro-Coax Part # UT-070C-25**  
25 ohm semi-rigid copper jacket  
Inner conductor OD .032"  
Dielectric OD .056  
Outer conductor OD .070