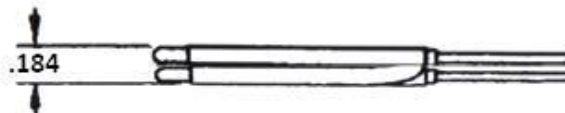
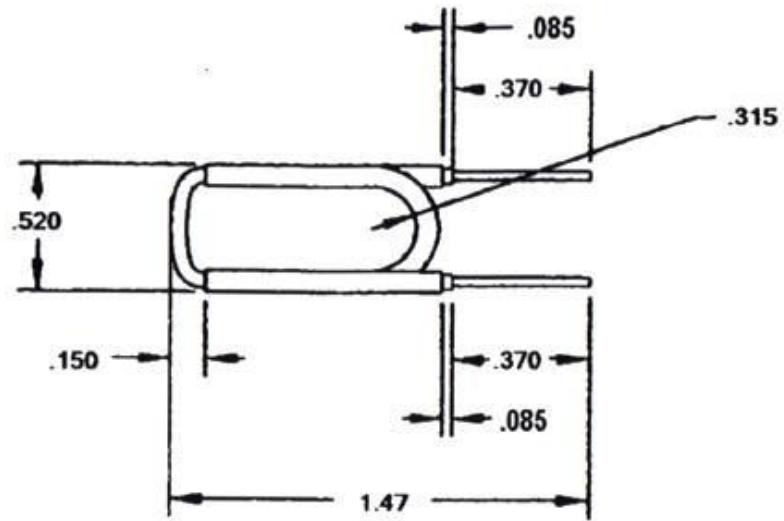


# TUO-4



**Micro-Coax Part # UT-090C-25**  
25 ohm semi-rigid copper jacket  
Inner conductor OD .0403"  
Dielectric OD .073  
Outer conductor OD .090