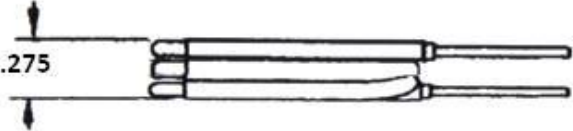
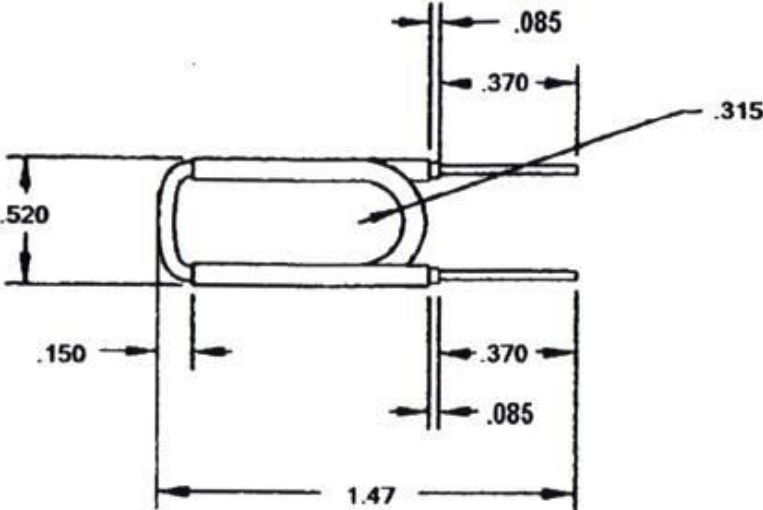


TUO-9



Micro-Coax Part # UT-090C-25
25 ohm semi-rigid copper jacket
Inner conductor OD .0403"
Dielectric OD .073
Outer conductor OD .090